

Specification:

Population range: 4 persons

Measures: 153 x 122 x 220 cm(l,w,h) (standard variant,complete height with aeration scoop)

Sludge treatment: stabilizing, volumereduction

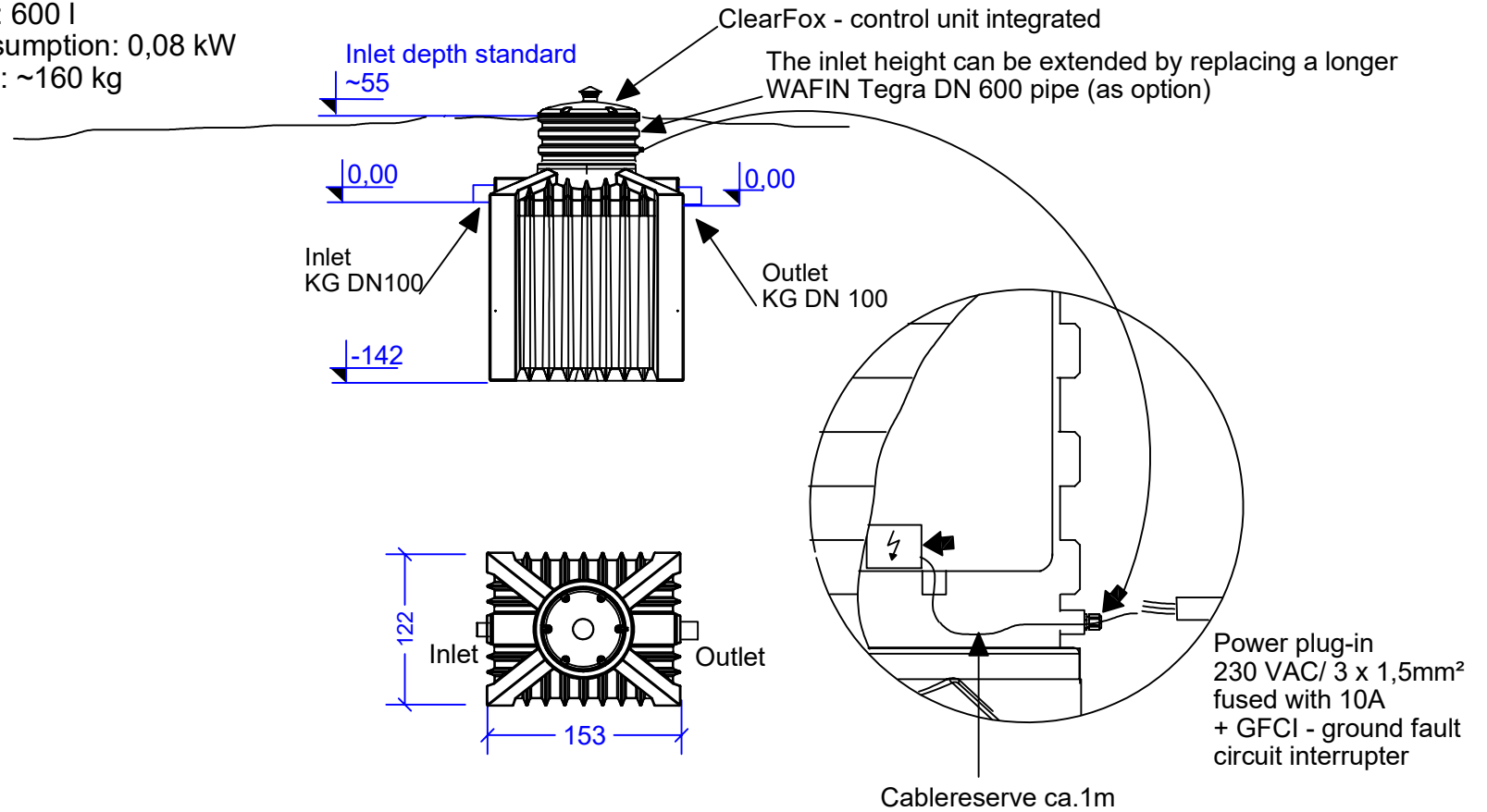
Max. organic loading: 240g BOD/day

Max. average daily flow: 600 l

Max. blower power consumption: 0,08 kW

Weight (total/plug&play): ~160 kg

Total capacity: 2250 l



ClearFox - QuickONE+
small wwtp 4 p.e.
Single chamber SBR system